

# 4ft 40W Weatherproof- Economic Version

Authorized Licensee for TOSHIBA trademark



## 1. Specification:

### A. General Data

Model	4ft 40W Weatherproof-ECO Cool White	4ft 40W Weatherproof-ECO Neutral White
Product Code	01601315503A	01601315502A
P/N	MMR-WP65640CKC14Ax	MMR-WP40640CKC14Ax
Rated Voltage	230 VAC	230 VAC
Rated current(230V)	0.19	0.19
Rated current(Max)	0.22	0.22
Frequency	50 Hz	50 Hz
Rated Wattage	40 W	40 W
Deviation Tolerance of Rated Wattage	±10 %	±10 %
Power Factor (Input 230V, 50Hz)	0.9(typical)	0.9(typical)
Start On	≤0.5	≤0.5
Dimmable	NO	NO
Beam Angle	130°	130°
EEL	0.123	0.124
Energy Class	A+	A+
Safety requirements	CE	CE
Applicable Environments	IP65	IP65
Linkable connection	No	No
Type of Installation	Ceiling	Ceiling
Impact resistant	IK08	IK08
Glow wire temperature	650°C	650°C
Photobiological Group	Exempt	Exempt

Warm - up time up to 60% of the full light output	<1s	<1s
Safety class	II	II

### B. Light Data

Color	Cool White	Neutral White
Color Temperature (CCT)	6500K	4000K
Rated Lumen Output*	4400 lm	4400 lm
Color Rendering Index*	80	
Efficacy*	110 lm/W	110 lm/W
Color Consistency**	6 Step MacAdam Ellipse (6 SDCM)	

\*tolerance +/- 10% \*\* 6500K center point (0.3123, 0.32825) , 4000K center point (0.380, 0.377)

### C. Lifetime

(Supplied Voltage: AC230V; Ambient Temperature: 25°C)

Lumen Maintenance Factor	70% of the rated lifetime
Rated Lifetime – L <sub>70</sub> B <sub>50</sub> at 25°C	25,000 hrs
Switching Cycles at 25°C	≥ 12,500

### D. Temperature Operation

Normal operation temperature	-20°C ~ 40°C
Relative Humidity	10% ~ 90%

### E. Geometric Data

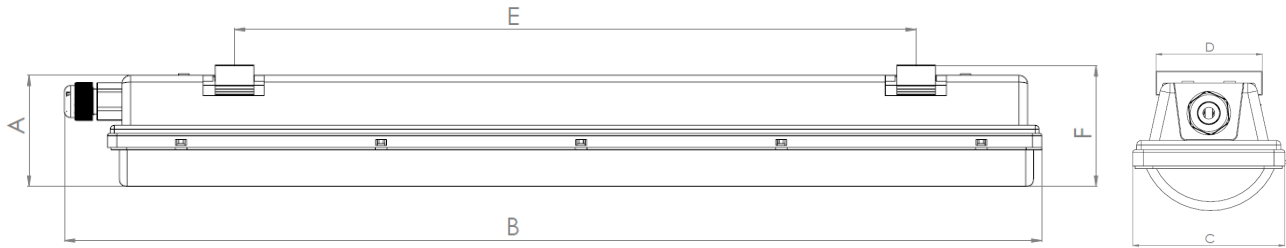
length	1235 ± 10 mm ( 48.62 ± 0.39 inch )
width	85 ± 5 mm ( 3.35 ± 0.2 inch )
thickness	70 ± 5 mm ( 2.76 ± 0.2 inch )
Mass	1.27 kg

### F. Environmental relevant materials

Mercury (Hg)	Comply with RoHS Directive 2011/65/EU
Lead (Pb)	
Cadmium(Cd)	
Hexavalent Chromium(Cr6+)	
Polybrominated Biphenyls(PBBs)	
Polybrominated Diphenyl Ethers(PBDEs)	

## 2. Outline Drawing

Unit : mm



Size	Distance(mm)
A	70
B	1235
C	85
D	46.5
E	905
F	77

### Material Information

1. Cover: Plastic
2. Base: Plastic
3. Clips: Stainless

## 3. Installation Instructions

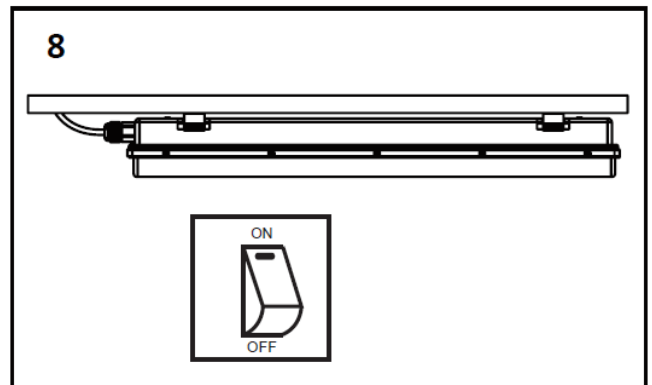
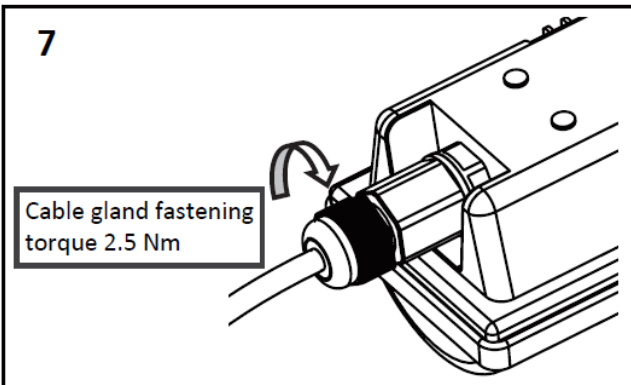
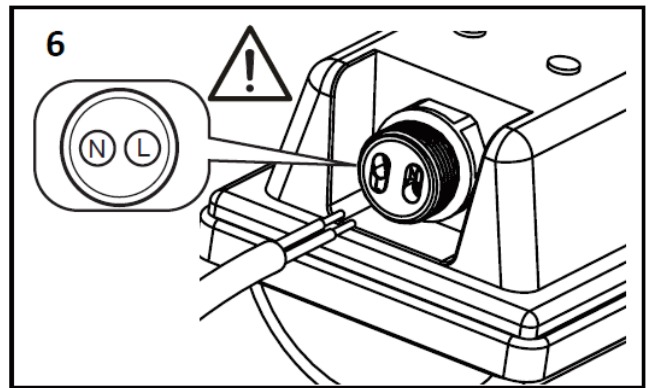
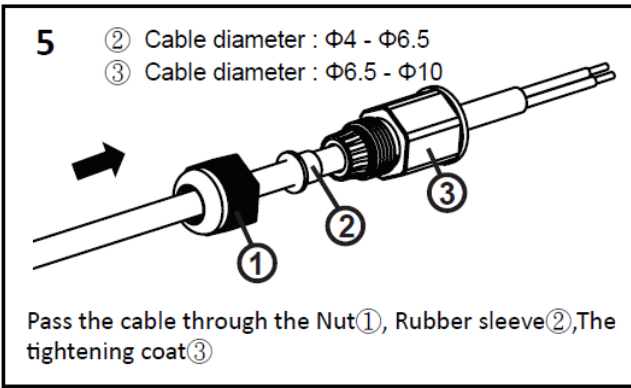
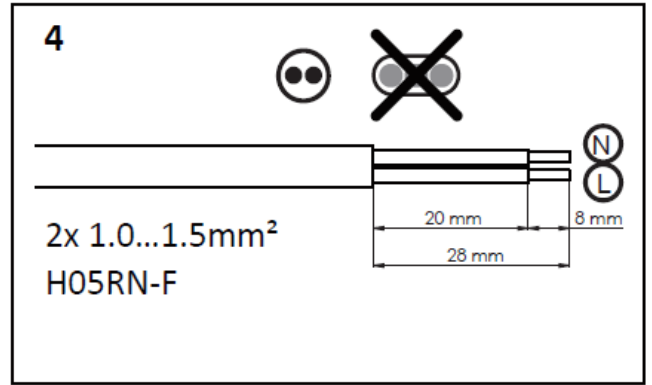
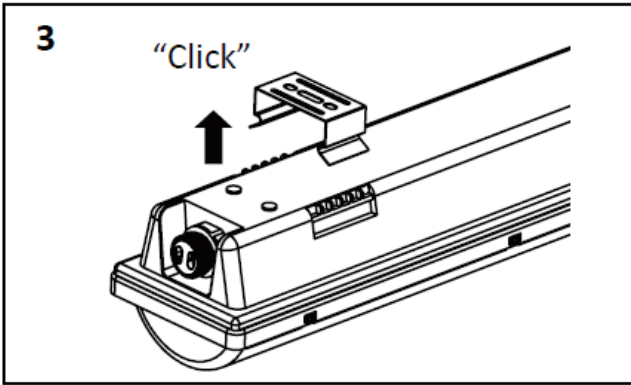
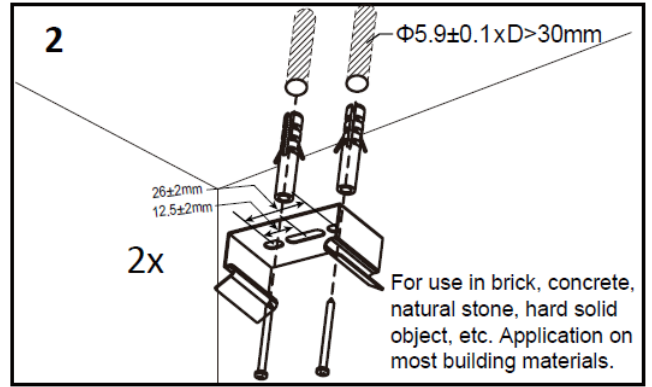
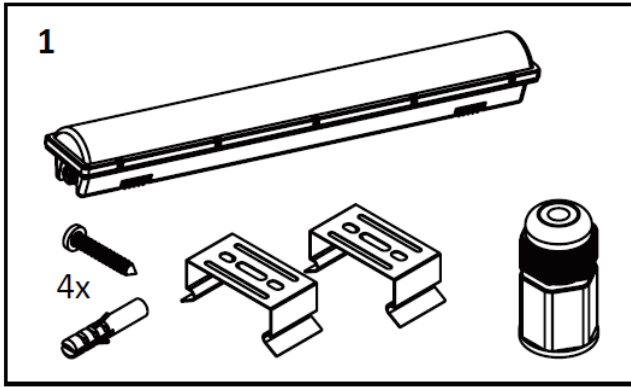
### Mounting Instruction



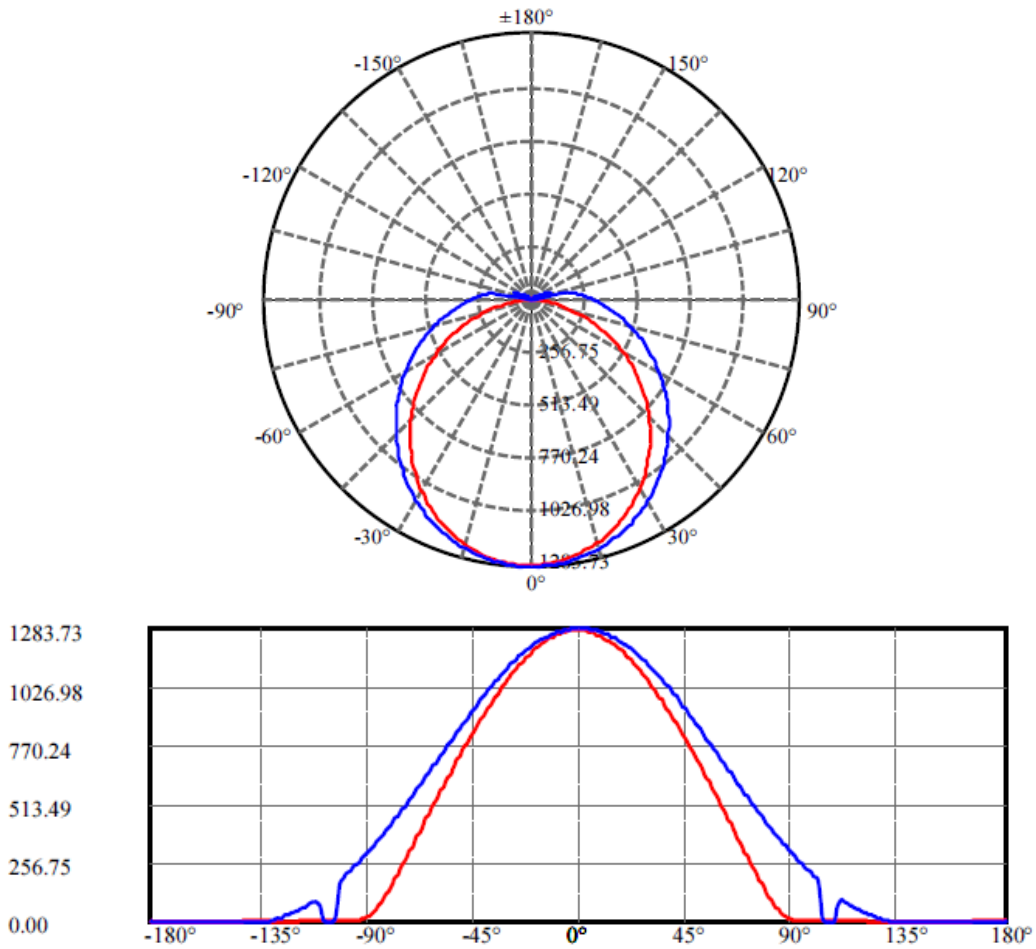
#### Warnings:

1. Turn off the main power at the circuit breaker before installing the fixture in order to prevent possible electric shock.
2. Do not touch electronic components!  
Electronic components maybe under high voltage.
3. The light source contained in this luminaire shall only be replaced by the manufacturer or his service agent or a similar qualified electrician.
4. Do not stare into LED light beam.
5. The luminaire shall be installed by a qualified electrician and wired in accordance with the latest IEE electrical regulations or the national requirements.
6. Suitability for use indoor including in related ambient temperature or Outdoor-temporary use( $t_a=40^{\circ}\text{C}$  MAX).
7. Do not use in an atmosphere where the fixtures are exposed to gasses of Sulfur or Chloride components. Otherwise, it may cause to pollute their LEDs and not to light.
8. Do not use in an atmosphere where Chemicals adhere to the fixtures. Otherwise, it may cause to accelerate some degradations of its Plastic body and to fall down.
9. This fixture is only for Downward Lighting



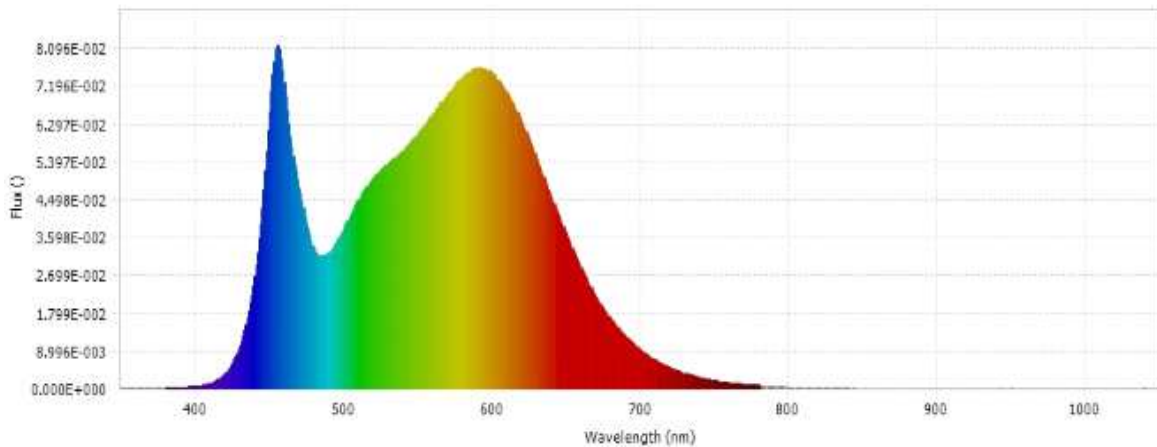


### 4. Light Distribution Curve



C0/C180: —  
 C90/C270: —  
 Field angle(10%Imax):C0/180Left:80.4 Right:79.2  
                                   :C90/270Left:100.6 Right:101.4  
 Beam Angle(50%Imax):C0/180Left:54.6 Right:53.6  
                                   :C90/270Left:63.8 Right:64.6

### 5. Spectrum Distribution



## 6. Warnings

- Before replacing, turn off power and let lamp cool to avoid electrical shock or burn.
- Do not touch electronic components, electronic components maybe under high voltage.
- Do not stare into LED light beam
- The luminaire shall be installed by a qualified electrician and wired in accordance with the latest IEE electrical regulations or the national requirements.

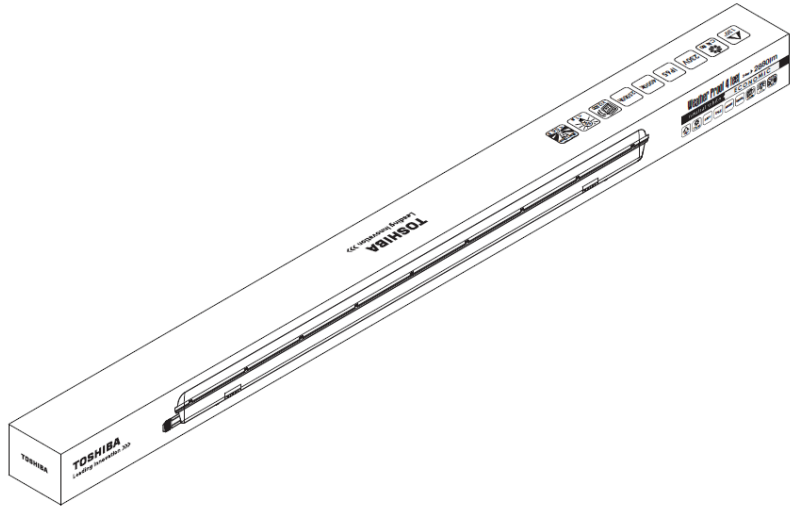
## 7. Notes

All characteristics are estimated at room temperature (25°C), free air burning, base up burning position and at rated voltage. In view of the complex manufacturing process for light above for the technical LED parameters are merely statistical values that do not necessarily correspond to the actual technic individual products may vary from the typical values.

## 8. Logistic information

Model	4ft 40W Weatherproof-ECO Cool White	4ft 40W Weatherproof-ECO Neutral White
P/N	MMR-WP65640CKC14Ax	MMR-WP40640CKC14Ax
Product Code	01601315503A	01601315502A
Pieces per pack	1	
EAN code on pack	4713233155039	4713233155022
Size of pack	1245*90*79 mm	
Weight per pack (G.W)	1.47 kg	
Packs per inner box	N/A	
EAN code on inner box	N/A	
ITF code on inner box	N/A	
Size of inner box	N/A	
Weight per inner box(G.W)	N/A	
Packs per outer box	6	
EAN code on outer box	4713233155138	4713233155121
ITF code on outer box	14713233155036	14713233155029
Size of outer box	1260*175*290 mm	
Weight per outer box(G.W)	12 kg	

Packing Photograph



## 9. Business Scheme (Countries)

### A. Applicable countries

France, Italy, Belgium, Spain, Morocco, Portugal, Netherlands, Luxembourg, Germany, Turkey, Greece, Austria, Switzerland, Bulgaria, Poland, Hungary, Israel, Sweden, Norway, Ireland, England

### B. Manufacture

Unity Opto Technology Co., Ltd.

### C. Sales channel

B2B/B2C