

LED Street light -185W 130D

Authorized Licensee for TOSHIBA trademark



1. Specification:

A. General Data

Model	Street light 130D-185W		
Product Code	00701760222A	00701760296A	00701760139A
P/N	MPS-SL30E185-3A1	MPS-SL40E185-3A1	MPS-SL50E185-3A1
Rated Voltage	220-240 VAC		
Frequency	50~60 Hz		
Rated Wattage	185 W		
Deviation Tolerance of Wattage	±10 %		
Power Factor (Input 230V, 50Hz)	0.9(typical)		
Start On	<0.5S		
Dimmable	NO		
Beam Angle	130° (Type II Short)		
UGR	N/A		
EEL	0.15	0.15	0.15
Energy Class	A+	A+	A+
Safety requirements	CE		
Applicable Environments	IP66 / IK08		
Base	N/A		
Type of Installation	N/A		
Exchangeable LED Module	NO		

B. Light Data

Color	Warm White	Neutral White	Cool White
Color Temperature (CCT)	3000K	4000K	5000K
Rated Lumen Output*	17950 lm	18870 lm	18870 lm
Color Rendering Index*	70		
Efficacy*	97 lm/W	102 lm/W	102 lm/W
Color Consistency**	6 Step MacAdam Ellipse (6 SDCM)		

*tolerance +/- 10%

** 3000K center point (0.43387, 0.40319) , 4000K center point (0.380, 0.377) , 5000K center point (0.34464, 0.35506)

C. Lifetime

(Supplied Voltage: AC230V; Ambient Temperature: 15°C~40°C)

Lumen Maintenance Factor	70% of the rated lifetime
Rated Lifetime – L ₇₀ B ₅₀	50,000 hrs
Switching Cycles	≥25,000

D. Temperature Operation

Normal operation temperature	-10°C ~ 50°C
Relative Humidity	10% ~ 90%

E. Geometric Data

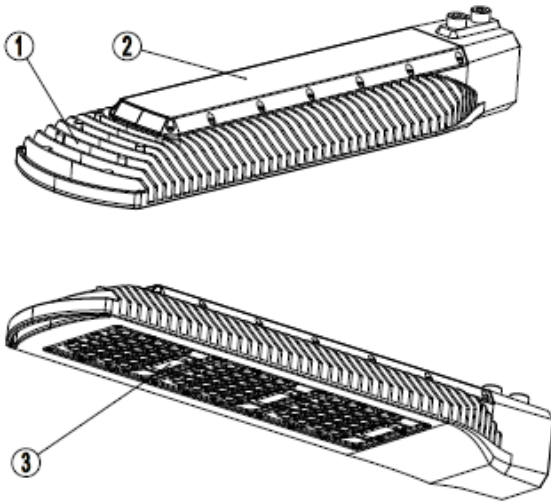
Maximum length	635.5 ± 5 mm
Maximum width	180.0 ± 4 mm
Maximum height	91.0 ± 3 mm
Mass	7100 g

F. Environmental relevant materials

Mercury (Hg)	Comply with RoHS Directive 2011/65/EU
Lead (Pb)	
Cadmium(Cd)	
Hexavalent Chromium(Cr6+)	
Polybrominated Biphenyls(PBBs)	
Polybrominated Diphenyl Ethers(PBDEs)	

2. Outline Drawing

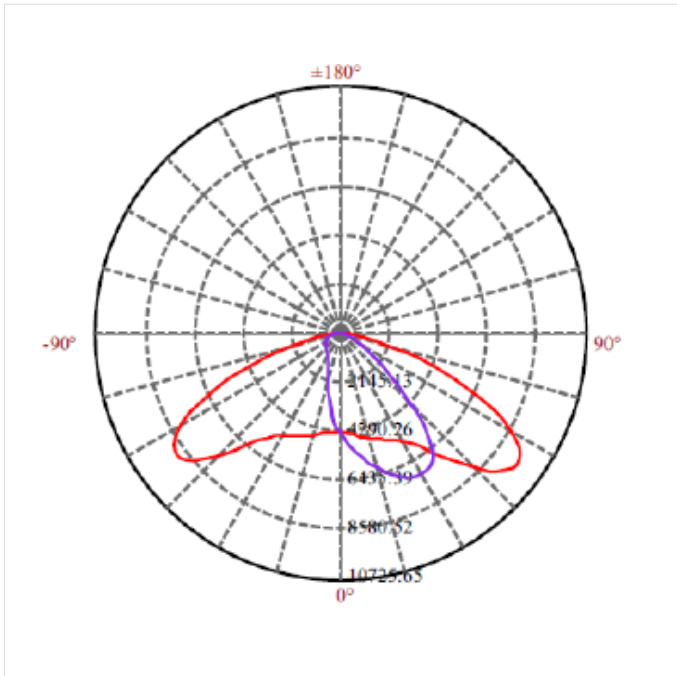
Unit : mm



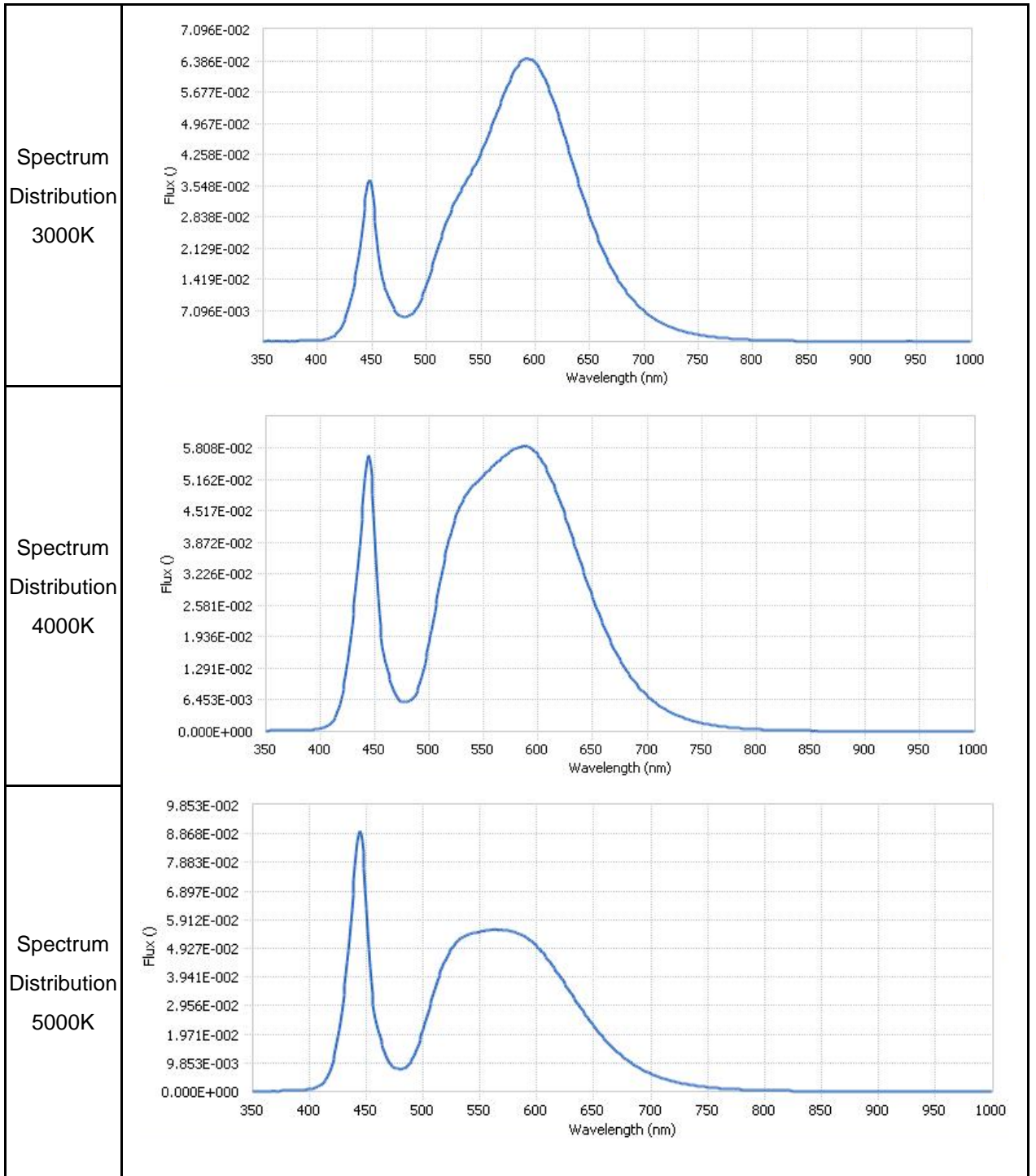
Material Information

- 1. Heat sink : Aluminum
- 2. Top enclosure: Aluminum
- 3. Lens: Plastic

3. Light Distribution Curve



4. Spectrum Distribution



5. Warnings

Before replacing, turn off power and let lamp cool to avoid electrical shock or burn.

6. Cautions

Only to apply in dry or damp locations and most of open fixtures with lamp-holders that offer sufficient space (10 mm free air space). Not intended for use with emergency light fixtures or exit lights.

7. Notes

All characteristics are estimated at room temperature (25°C), free air burning, base up burning position and at rated voltage. In view of the complex manufacturing process for light above for the technical LED parameters are merely statistical values that do not necessarily correspond to the actual technic individual products may vary from the typical values.

8. Logistic information

Model	Street light 130D-185W		
Product Code	00701760222A	00701760296A	00701760139A
P/N	MPS-SL30E185-3A1	MPS-SL40E185-3A1	MPS-SL50E185-3A1
Pieces per pack	N/A		
EAN code on pack	N/A		
Size of pack	N/A		
Weight per pack (G.W)	N/A		
Packs per inner box	N/A		
EAN code on inner box	N/A		
ITF code on inner box	N/A		
Size of inner box	N/A		
Weight per inner box(G.W)	N/A		
Packs per outer box	1		
EAN code on outer box	4712947602228	4712947602969	4712947601399
ITF code on outer box	04712947602228	04712947602969	04712947601399
Size of outer box	720x255x150mm	720x255x150mm	720x255x150mm
Weight per outer box(G.W)	7.89 kg		

9. Conformity

2006/95/EC; Low Voltage Directive	EN 62031(LED module) 、 EN 60598-1 & EN 60598-2-3(Luminaires) 、 EN 61347-2-13(LED driver) 、 EN 62471 、 EN 62493(EMF)
2004/108/EC; EMC Directive	EN 55015 、 EN 61000-3-2 、 EN 61000-3-3 EN 61547 (Including IEC 61000-4-X series)
2009/125/EC; ErP Directive	EU No. 1194 、 EU No. 874
2011/65/EU; RoHS Directive	EN 50581 、 EN 62321

10. Business Scheme (Countries)

A. Applicable countries

France, Italy, Belgium, Spain, Morocco, Portugal, Netherlands, Luxembourg, Germany, Turkey, Greece, Austria, Switzerland, Bulgaria, Poland, Hungary, Israel, Sweden, Norway, Ireland, England

Note : The requirement of each country will be reflected to the product specifications, when the products will be shipped to such country.

B. Manufacture

Unity Opto Technology Co., Ltd.

C. Sales channel

B2B flow and B2C