

LED Street light -100W 130D

Authorized Licensee for TOSHIBA trademark



1. Specification:

A. General Data

| | | | |
|--|------------------------|------------------|------------------|
| Model | Street light 130D-100W | | |
| Product Code | 00701760281A | 00701760282A | 00701760283A |
| P/N | MPS-SL30E100-2A1 | MPS-SL40E100-2A1 | MPS-SL50E100-2A1 |
| Rated Voltage | 220-240 VAC | | |
| Frequency | 50~60 Hz | | |
| Rated Wattage | 100 W | | |
| Deviation Tolerance of Wattage | ±10 % | | |
| Power Factor (Input 230V, 50Hz) | 0.9(typical) | | |
| Start On | <0.5S | | |
| Dimmable | NO | | |
| Beam Angle | 130° (Type II Short) | | |
| UGR | N/A | | |
| EEL | 0.15 | 0.15 | 0.15 |
| Energy Class | A+ | A+ | A+ |
| Safety requirements | CE | | |
| Applicable Environments | IP66 / IK08 | | |
| Base | N/A | | |
| Type of Installation | N/A | | |
| Exchangeable LED Module | NO | | |

B. Light Data

| Color | Warm White | Neutral White | Cool White |
|-------------------------|---------------------------------|---------------|------------|
| Color Temperature (CCT) | 3000K | 4000K | 5000K |
| Rated Lumen Output* | 10000 lm | 10700 lm | 10700 lm |
| Color Rendering Index* | 70 | | |
| Efficacy* | 100lm/W | 107lm/W | 107lm/W |
| Color Consistency** | 6 Step MacAdam Ellipse (6 SDCM) | | |

*tolerance +/- 10%

** 3000K center point (0.43387, 0.40319) , 4000K center point (0.380, 0.377) , 5000K center point (0.34464, 0.35506)

C. Lifetime

(Supplied Voltage: AC230V; Ambient Temperature: 15°C~40°C)

| | |
|--|---------------------------|
| Lumen Maintenance Factor | 70% of the rated lifetime |
| Rated Lifetime – L ₇₀ B ₅₀ | 50,000 hrs |
| Switching Cycles | ≥25,000 |

D. Temperature Operation

| | |
|------------------------------|--------------|
| Normal operation temperature | -10°C ~ 50°C |
| Relative Humidity | 10% ~ 90% |

E. Geometric Data

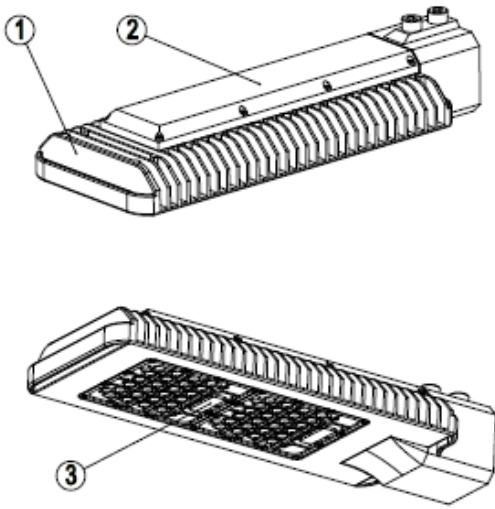
| | |
|----------------|--------------|
| Maximum length | 488.0 ± 5 mm |
| Maximum width | 180.0 ± 4 mm |
| Maximum height | 91.0 ±3 mm |
| Mass | 5770 g |

F. Environmental relevant materials

| | |
|---------------------------------------|---------------------------------------|
| Mercury (Hg) | Comply with RoHS Directive 2011/65/EU |
| Lead (Pb) | |
| Cadmium(Cd) | |
| Hexavalent Chromium(Cr6+) | |
| Polybrominated Biphenyls(PBBs) | |
| Polybrominated Diphenyl Ethers(PBDEs) | |

2. Outline Drawing

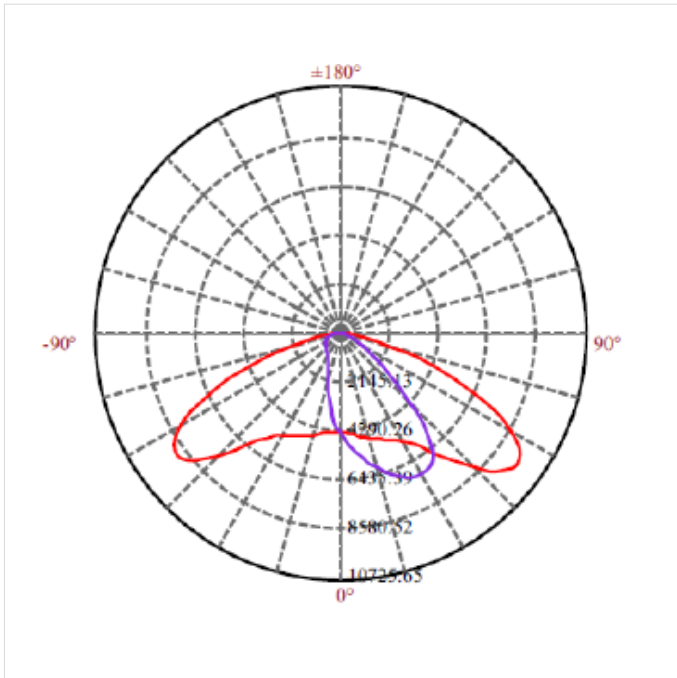
Unit : mm



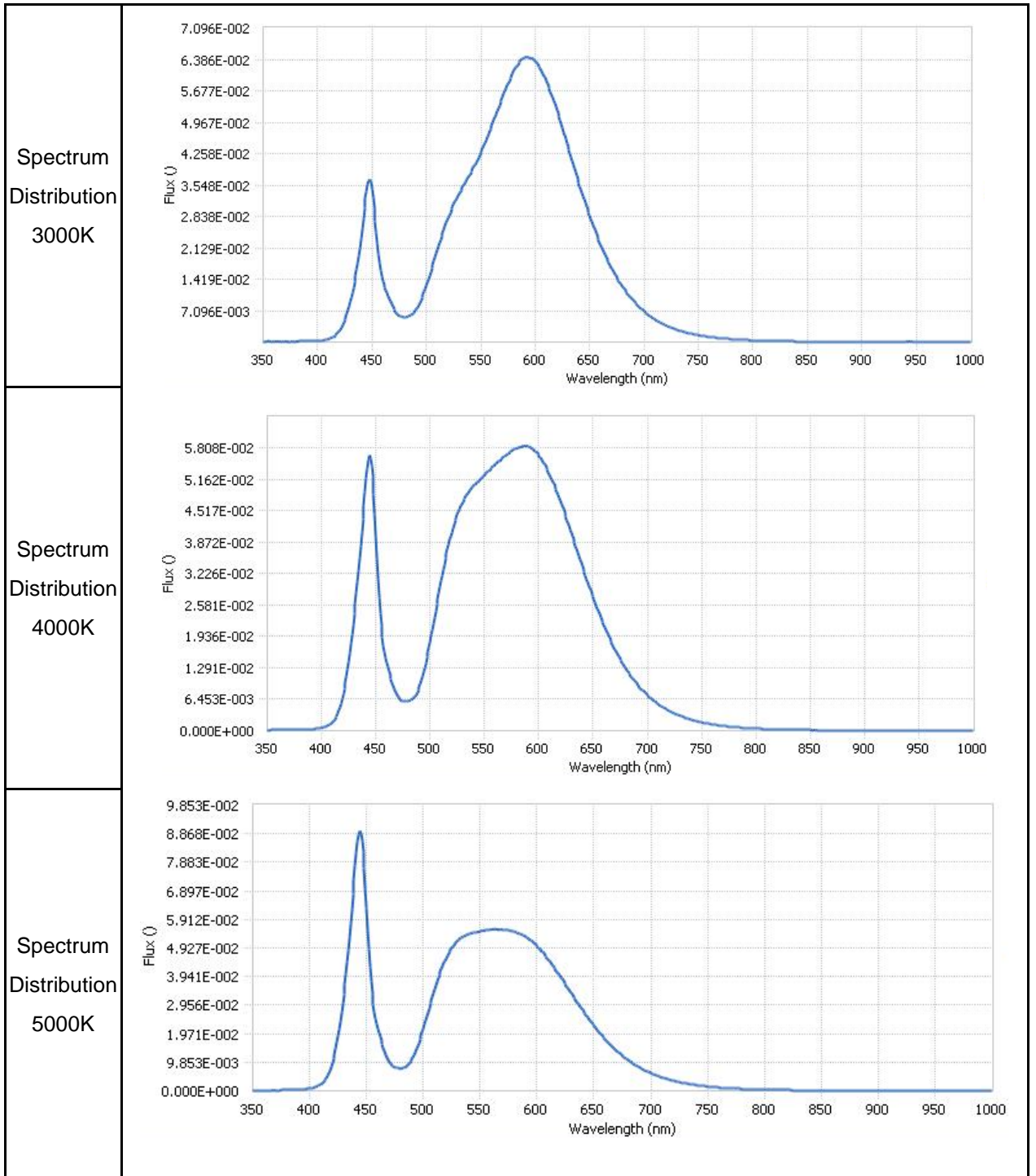
Material Information

- 1. Heat sink : Aluminum
- 2. Top enclosure: Aluminum
- 3. Lens: Plastic

3. Light Distribution Curve



4. Spectrum Distribution



5. Warnings

Before replacing, turn off power and let lamp cool to avoid electrical shock or burn.

6. Cautions

Only to apply in dry or damp locations and most of open fixtures with lamp-holders that offer sufficient space (10 mm free air space). Not intended for use with emergency light fixtures or exit lights.

7. Notes

All characteristics are estimated at room temperature (25°C), free air burning, base up burning position and at rated voltage. In view of the complex manufacturing process for light above for the technical LED parameters are merely statistical values that do not necessarily correspond to the actual technic individual products may vary from the typical values.

8. Logistic information

| Model | Street light 130D-100W | | |
|---------------------------|------------------------|------------------|------------------|
| Product Code | 00701760281A | 00701760282A | 00701760283A |
| P/N | MPS-SL30E100-2A1 | MPS-SL40E100-2A1 | MPS-SL50E100-2A1 |
| Pieces per pack | N/A | | |
| EAN code on pack | N/A | | |
| Size of pack | N/A | | |
| Weight per pack (G.W) | N/A | | |
| Packs per inner box | N/A | | |
| EAN code on inner box | N/A | | |
| ITF code on inner box | N/A | | |
| Size of inner box | N/A | | |
| Weight per inner box(G.W) | N/A | | |
| Packs per outer box | 1 | | |
| EAN code on outer box | 4712947602815 | 4712947602822 | 4712947602839 |
| ITF code on outer box | 04712947602815 | 04712947602822 | 04712947602839 |
| Size of outer box | 570x255x150 mm | 570x255x150 mm | 570x255x150 mm |
| Weight per outer box(G.W) | 6.5 kg | | |

9. Conformity

| | |
|--|--|
| 2006/95/EC; Low Voltage Directive | EN 62031(LED module) 、 EN 60598-1 & EN 60598-2-3(Luminaires) 、 EN 61347-2-13(LED driver) 、 EN 62471 、 EN 62493(EMF) |
| 2004/108/EC; EMC Directive | EN 55015 、 EN 61000-3-2 、 EN 61000-3-3 EN 61547 (Including IEC 61000-4-X series) |
| 2009/125/EC; ErP Directive | EU No. 1194 、 EU No. 874 |
| 2011/65/EU; RoHS Directive | EN 50581 、 EN 62321 |

10. Business Scheme (Countries)

A. Applicable countries

France, Italy, Belgium, Spain, Morocco, Portugal, Netherlands, Luxembourg, Germany, Turkey, Greece, Austria, Switzerland, Bulgaria, Poland, Hungary, Israel, Sweden, Norway, Ireland, England

Note : The requirement of each country will be reflected to the product specifications, when the products will be shipped to such country.

B. Manufacture

Unity Opto Technology Co., Ltd.

C. Sales channel

B2B flow and B2C