

# 4ft 40W Non-Linkable Weather proof

Authorized Licensee for TOSHIBA trademark



## 1. Specification:

### A. General Data

<b>Model</b>	4ft 40W Weatherproof Cool White	4ft 40W Weatherproof Neutral White
<b>Product Code</b>	01601760772A	01601760773A
<b>P/N</b>	MMR-WP65640CAA02Ax	MMR-WP40640CAA02Ax
<b>Rated Voltage</b>	220-240 VAC	220-240 VAC
<b>Frequency</b>	50-60 Hz	50-60 Hz
<b>Rated Wattage</b>	40 W	40 W
<b>Deviation Tolerance of Rated Wattage</b>	±10 %	±10 %
<b>Power Factor (Input 230V, 50Hz)</b>	0.9(typical)	0.9(typical)
<b>Start On</b>	≤0.5	≤0.5
<b>Dimmable</b>	NO	NO
<b>Beam Angle</b>	130°	130°
<b>UGR</b>	N/A	N/A
<b>EEL</b>	0.133	0.133
<b>Energy Class</b>	A+	A+
<b>Safety requirements</b>	CE	CE
<b>Applicable Environments</b>	IP65	IP65
<b>Linkable connection</b>	No	No
<b>Type of Installation</b>	Ceiling	Ceiling
<b>Impact resistant</b>	IK08	IK08
<b>Glow wire temperature</b>	650°C	650°C

**B. Light Data**

<b>Color</b>	Cool White	Neutral White
<b>Color Temperature (CCT)</b>	6500K	4000K
<b>Rated Lumen Output*</b>	4100 lm	4100 lm
<b>Color Rendering Index*</b>	80	
<b>Efficacy*</b>	102.5 lm/W	102.5 lm/W
<b>Color Consistency**</b>	6 Step MacAdam Ellipse (6 SDCM)	

\*tolerance +/- 10% \*\* 6500K center point (0.3123, 0.32825) , 4000K center point (0.380, 0.377)

**C. Lifetime**

(Supplied Voltage: AC230V; Ambient Temperature: 25°C)

<b>Lumen Maintenance Factor</b>	70% of the rated lifetime
<b>Rated Lifetime – L<sub>70</sub>B<sub>50</sub></b>	50,000 hrs
<b>Switching Cycles</b>	≥ 25,000

**D. Temperature Operation**

<b>Normal operation temperature</b>	-20°C ~ 50°C
<b>Relative Humidity</b>	10% ~ 90%

**E. Geometric Data**

<b>Maximum length</b>	1225 ± 5 mm ( 48.23 ± 0.2 inch )
<b>Maximum width</b>	100 ± 5 mm ( 3.94 ± 0.2 inch )
<b>Maximum thickness</b>	77 ± 5 mm ( 3.03 ± 0.2 inch )
<b>Mass</b>	1480 ± 100 g

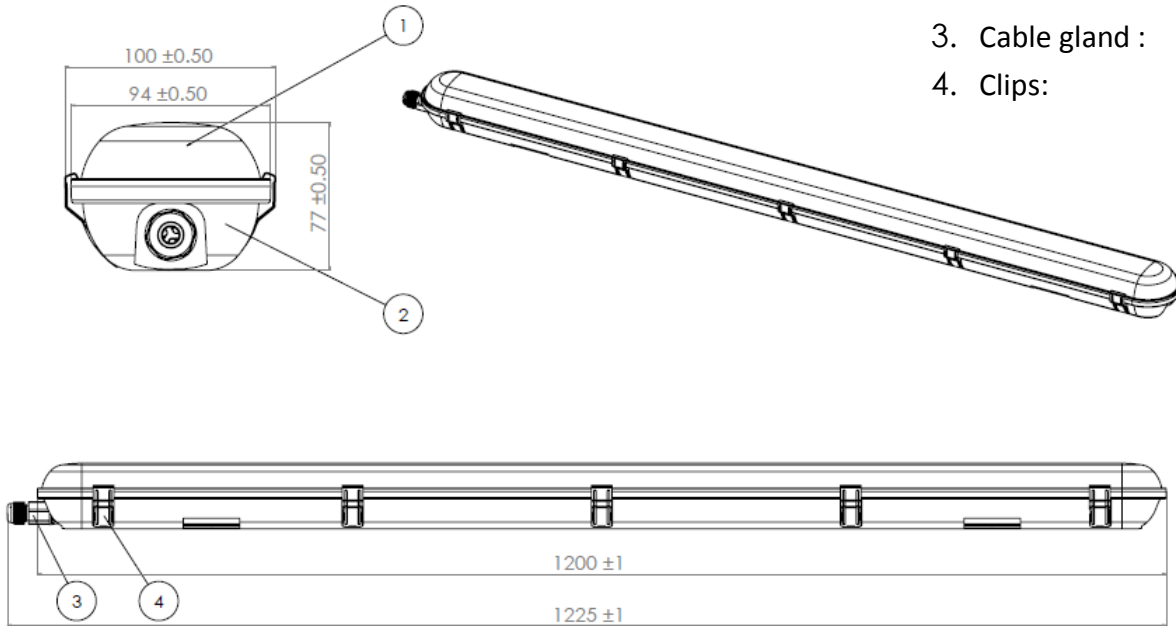
**F. Environmental relevant materials**

<b>Mercury (Hg)</b>	Comply with RoHS Directive 2011/65/EU
<b>Lead (Pb)</b>	
<b>Cadmium(Cd)</b>	
<b>Hexavalent Chromium(Cr6+)</b>	
<b>Polybrominated Biphenyls(PBBs)</b>	
<b>Polybrominated Diphenyl Ethers(PBDEs)</b>	

**Material Information**

**2. Outline Drawing**

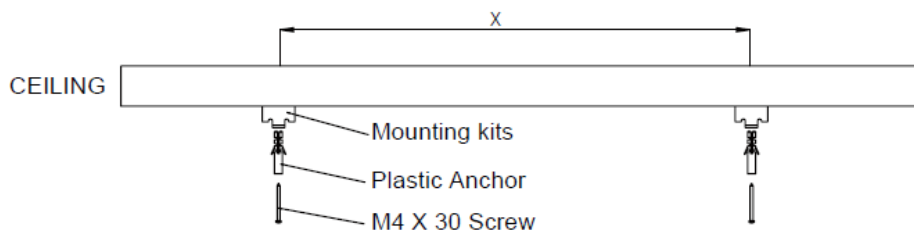
Unit : mm



- 1. Cover: Plastic
- 2. Base: Plastic
- 3. Cable gland : Plastic
- 4. Clips: Metal

**3. Installation Instructions**

Step 1. Install two mounting kits by screws on ceiling.



Size	X Distance(mm)
2FT	340
4FT	830
5FT	940

Step 2. Assemble the bottom enclosure on the mounting kits.

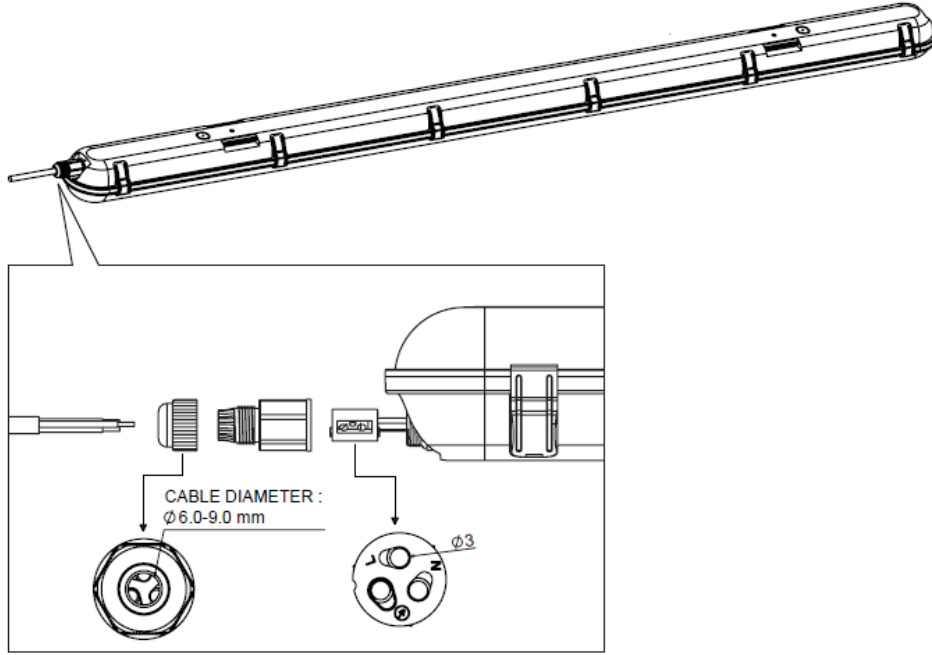


Step 3. Install the feed-through cable.

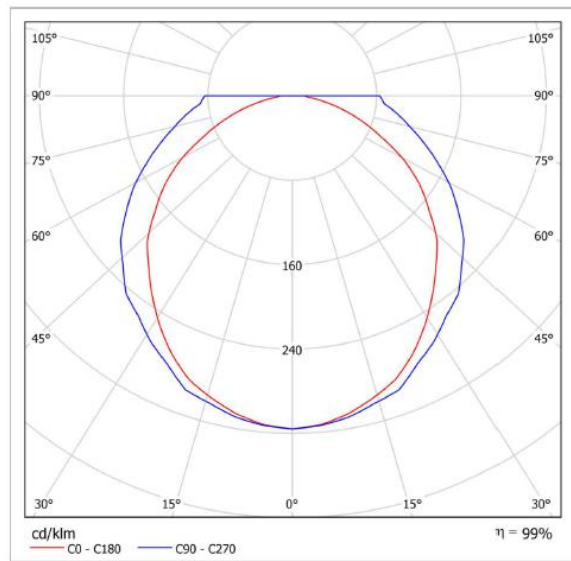
**Warnings :**

- Turn off the main power at the circuit breaker before installing the fixture in order to prevent possible electric shock.
- AC cable are not included in the package.

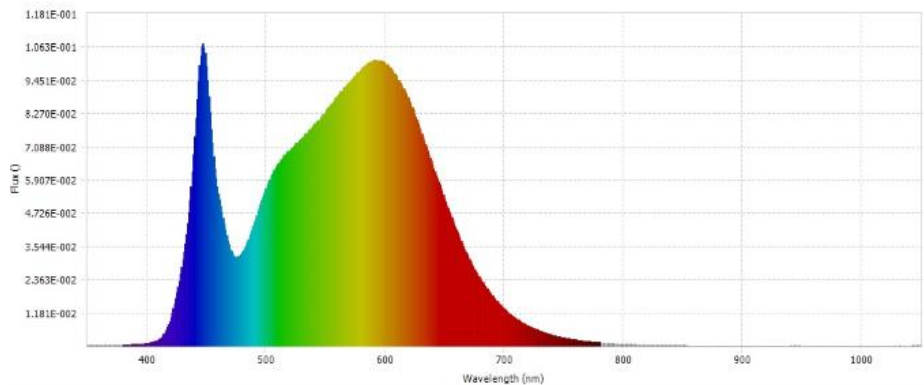
Step 3.1 Pass AC cable through the Weather proof connector.



#### 4. Light Distribution Curve



#### 5. Spectrum Distribution



## 6. Warnings

- Before replacing, turn off power and let lamp cool to avoid electrical shock or burn.
- Do not touch electronic components, electronic components maybe under high voltage.
- Do not stare into LED light beam
- The luminaire shall be installed by a qualified electrician and wired in accordance with the latest IEE electrical regulations or the national requirements.

## 7. Notes

All characteristics are estimated at room temperature (25°C), free air burning, base up burning position and at rated voltage. In view of the complex manufacturing process for light above for the technical LED parameters are merely statistical values that do not necessarily correspond to the actual technic individual products may vary from the typical values.

## 8. Logistic information

Model	4ft 40W Weatherproof Cool White	4ft 40W Weatherproof Neutral White
P/N	MMR-WP65640CAA02Ax	MMR-WP40640CAA02Ax
Product Code	01601760772A	01601760773A
Pieces per pack	1	
EAN code on pack	4713233152342	4713233152335
Size of pack	1236*106*82 mm	
Weight per pack (G.W)	1.97 kg	
Packs per inner box	N/A	
EAN code on inner box	N/A	
ITF code on inner box	N/A	
Size of inner box	N/A	
Weight per inner box(G.W)	N/A	
Packs per outer box	1276*240*275 mm	
EAN code on outer box	4713233152397	4713233152380
ITF code on outer box	14713233152349	14713233152332
Size of outer box	1276*240*275	
Weight per outer box(G.W)	13.5 kg	

## 9. Conformity

<b>Directive 2014-35-EU; Low Voltage Directive</b>	EN 60598-2-1:1989+ EN 60598-1:2015 、 EN 62031:2015 、 EN62471:2008 、 EN62493:2015 、 EN 61347-2-13:2014, EN 61347-1:2013
<b>2014-30-EU; EMC Directive</b>	EN 55015:2015 、 EN 61000-3-2:2014 、 EN 61000-3-3:2013 EN 61547:2009
<b>2009/125/EC; ErP Directive</b>	EU No. 1194/2012 、 EU No. 874/2012
<b>2011/65/EU; RoHS Directive</b>	EN 50581/2012

## 10. Business Scheme (Countries)

### A. Applicable countries

France, Italy, Belgium, Spain, Morocco, Portugal, Netherlands, Luxembourg, Germany, Turkey, Greece, Austria, Switzerland, Bulgaria, Poland, Hungary, Israel, Sweden, Norway, Ireland, England

### B. Manufacture

Unity Opto Technology Co., Ltd.

### C. Sales channel

B2B/B2C